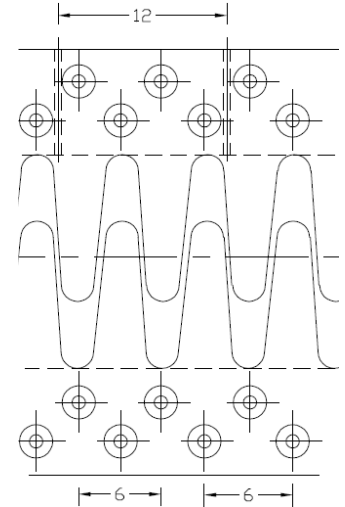
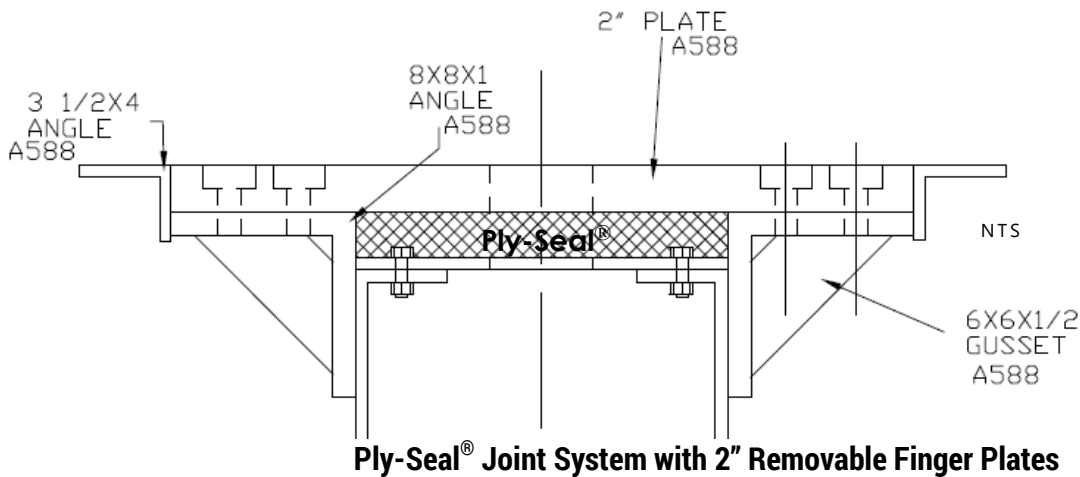


## Ply-Seal® Finger Joint System



Large movement expansion joints can be prone to leaks that may be difficult and expensive to repair by standard methods. The **Ply-Seal® Finger Joint System** can provide an economical solution for long-term protection. If required, the Finger Plates may be removed for inspection and repair of seal, allowing the permanent, expensive component of the system to remain while the seal is repaired or replaced quickly at minimal cost. This is unique for large expansion joint systems. Previously, if a modular or other like system develops problems the repair options may be very limited and expensive.

The **Ply-Seal®** serves as a waterproof, flexible barrier, while the **finger plates** support traffic. **Ply-Seal®** may be factory or field installed based on the limits of the *Joint Design Chart* (see right). Additional **Ply-Seal® Finger Joint** details may be available from Polyset.

The **Ply-Seal® Finger Joint Systems** are monolithic waterproof traffic bearing joints with low life-cycle costs and are maintenance friendly. This makes **Ply-Seal®** an attractive alternative to modular joint systems.

**Ply-Seal® Finger Joints** have a large movement range including horizontal, vertical, and skew movements. In gaps under 4" no cover plate may be required. Please contact Polyset for recommendations.

### Finger Joint Design Chart

Model Number	Jt. Gap (in.) @ Mid-Range	Rec.* Seal Size (w x d)	Movement Range (in.)
F-4.00	3	4 x 3	1.6 - 5.2
F-5.00	4	5 x 3	2.0 - 6.5
F-6.25	5	6 1/4 x 4	2.5 - 8.0
F-7.50	6	7.5 x 4	3.0 - 9.7
F-10.00	8	10 x 4	4.0 - 13
F-12.50	10	12 1/2 x 4	5.0 - 16
F-15.00	12	15 x 4	6.0 - 18.5
F-20.00	16	20 x 4	8.0 - 25
F-30.00	24	30 x 4	12 - 36
F-45.00	36	45 x 4	18 - 54

\*Please contact Polyset for project-specific recommended sizes. Many other sizes are available.

Note: Polyset suggests casting the **Ply-Seal® Finger Joint System** in **Ply-Krete®** for a permanent leak-proof nosing.

**Limited Warranty:** Polyset Company Inc. makes no warranty, expressed or implied, including any warranty of merchantability of fitness for a particular purpose. The sole remedy of Purchaser for any claim concerning this product, including, but not limited to, claims alleging breach of warranty, negligence, strict liability or otherwise, is the replacement of product or refund of the purchase price, at the discretion of Polyset Company Inc. Any claims concerning this product shall be submitted in writing within one year of the delivery date of this product to Purchaser and any claims not presented within that period are waived by Purchaser. IN NO EVENT SHALL POLYSET COMPANY INC. BE LIABLE FOR ANY SPECIAL, INCIDENTAL, CONSEQUENTIAL (INCLUDES LOSS OF PROFITS) OR PUNITIVE DAMAGES. Copyright © 2016 Polyset Company, Inc. All rights reserved. Revised 9/16.